



Continental Disc  
Corporation

Performance Under Pressure®

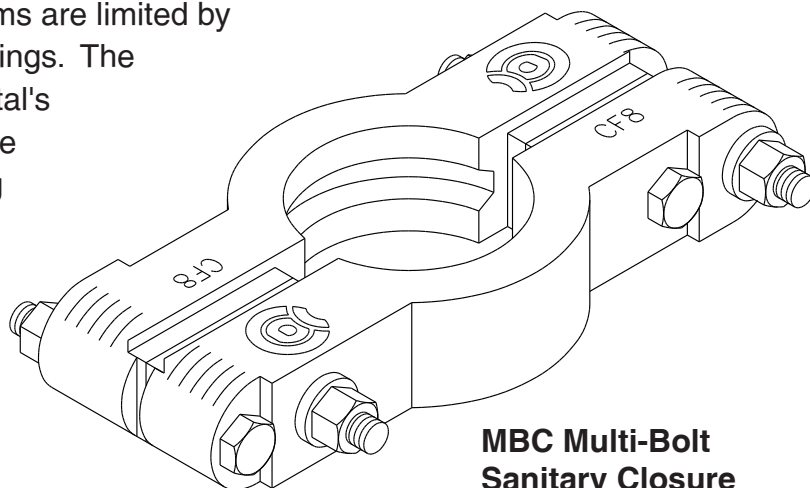
# TECHNICAL BRIEF

## MBC™ Multiple Bolt Sanitary Closure

Continental Disc Corporation presents the **MBC** Sanitary Closure, a new highly durable sanitary clamping device for securing vessel and piping connections in pharmaceutical, biotechnological, food, beverage, fine chemical, and other sanitary type environments.

The **MBC Sanitary Closure** is a multi-bolt clamp design featuring four stainless steel bolts and nuts securing a two-piece, cast stainless steel body. This sturdy new clamp yields the ultimate in connection integrity, providing a dependable, sure-hold for system fittings and components, and also protecting against potential clamp failure. An opposed multi-bolt pattern, utilizing four bolts, ensures reliable performance and safeguards your system and personnel from possible damage that could result from the failure and release of a clamp relying on only one or two fasteners.

The **MBC** Sanitary Closure can be used in general sanitary installations and in high pressure or high temperature applications, though pressure and temperature maximums are limited by the capabilities of standard gaskets and fittings. The clamp also permits installation of Continental's **SANITRX®** Rupture Disc, which features the innovative, attached 3-dimensional flow tag extending beyond the assembly for easy identification of proper rupture disc orientation. Refer to bulletin #4-8803 for the pressure and temperature limits of the **SANITRX** Rupture Disc.



**MBC Multi-Bolt  
Sanitary Closure**

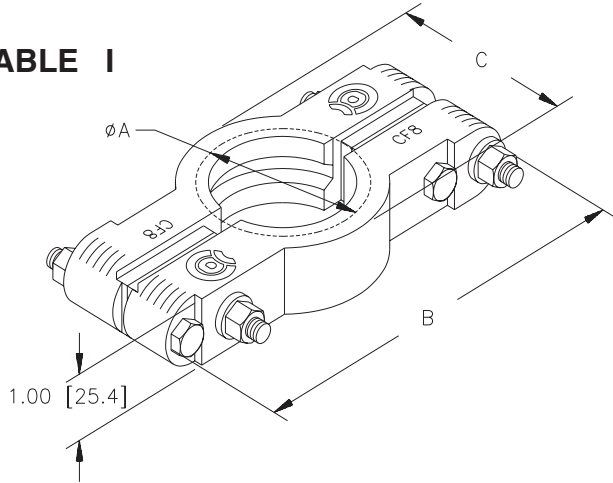
Features include:

- Solid, cast stainless steel body with opposed multi-bolt pattern for durability and performance under higher pressures and temperatures.
- Studs, nuts, and lock washers of corrosion resistant 304 Stainless Steel construction.
- Available in sizes 1½", 2", 3", and 4".
- Depending upon size and the limitations of complementary components installed, the clamp can be installed on systems operating at pressures up to 1500 psig (103 barg) or at temperatures up to 450°F (232°C). See operating conditions on back page, Chart I.

# MBC Multiple Bolt Sanitary Closure

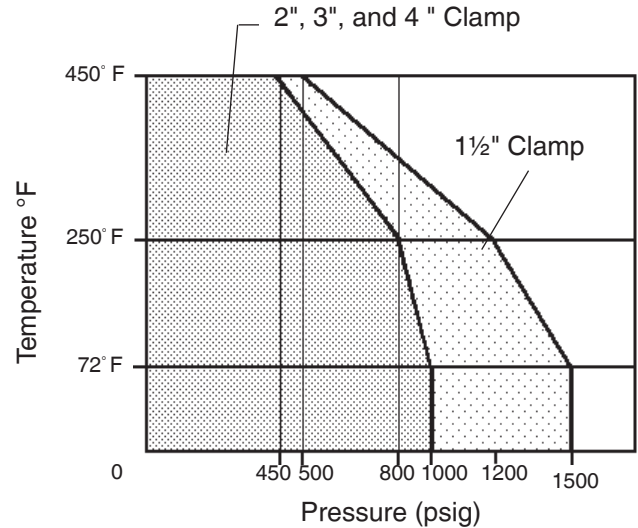
## Operating Specifications:

**TABLE I**



Nominal Size (inch)	Dimensions (inch)			Clamp Maximum Operating Pressure* (psig)	
	A	B	C	@72°F	@450°F
1½	2.05	5.61	2.71	1500	500
2	2.63	3.11	3.25	1000	450
3	3.66	7.12	4.34	1000	450
4	4.77	8.11	5.45	1000	450

**CHART I**



Clamps, in the size noted, are usable below the appropriate curve.

\*See Chart I for correlation of pressure and temperature limitations of the clamp only.

**Warning:** The table and chart above represent the maximum pressure and temperature ratings of the **MBC Sanitary Closure**. Standard sanitary gaskets and fittings may not be designed to withstand the maximum pressure and temperature stated. **It is the responsibility of the user to verify the maximum pressure and temperature rating of the gaskets, fittings, or rupture disc.**

## CORPORATE HEADQUARTERS

Continental Disc Corporation  
3160 W. Heartland Drive  
Liberty, MO 64068-3385 USA

Phone: (816) 792-1500  
FAX: (816) 792-2277 / 5447  
E-mail: [pressure@contdisc.com](mailto:pressure@contdisc.com)  
Website: [www.contdisc.com](http://www.contdisc.com)

### THE NETHERLANDS

Continental Disc Corporation  
Energieweg 20  
2382 NJ Zoeterwoude-Rijndijk  
The Netherlands

Phone: + (31) 71-5412221  
FAX: + (31) 71-5414361  
E-mail: [cdcnl@contdisc.com](mailto:cdcnl@contdisc.com)

### UNITED KINGDOM

Continental Disc UK Ltd.  
Unit C, The Business Centre  
Faringdon Avenue,  
Harold Hill, Romford  
Essex RM3 8EN  
United Kingdom

Phone: + (44) 1708-386444  
FAX: + (44) 1708-386486  
E-mail: [cduk@contdisc.com](mailto:cduk@contdisc.com)

### CHINA

Continental Disc Corporation  
Room 910, Tower B, COFCO Plaza  
No. 8 JianGuoMenNei Avenue  
Beijing (100005)  
P.R. China

Phone: + (86) 10-6522-4885  
Fax: + (86) 10-6522-2885  
Mobile: + (86) 137-0103-8871  
E-mail: [cdcchina@contdisc.com](mailto:cdcchina@contdisc.com)

### DUBAI

Continental Disc Corporation  
P.O. Box 2234  
Dubai, U.A.E.

Phone: + (971) 43214490  
FAX: + (971) 43438840  
Mobile: + (971) 508129525  
E-mail: [cdcme@contdisc.com](mailto:cdcme@contdisc.com)