

Wey Knife Gate Valve VNB

2.4.20

DN 50–200 Standard construction

Material acc. to data sheet 2.0.13

Body and upper construction with epoxy powder coating

Stainless steel part without coating

Flange drilling: PN 10/16 EN 1092 / ISO 7005

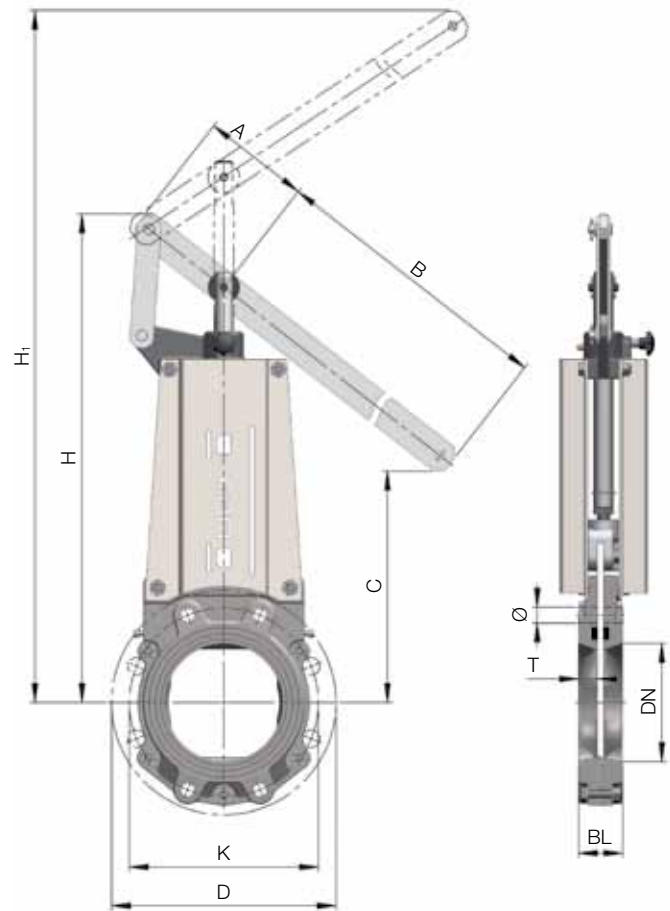
Face-to-face: EN 558-1 / ISO 5752 part 20

Nominal pressure PN: DN 50–200 4 bar

Operating pressure: DN 50–125 1 bar
DN 150–200 1 bar

For dead-end installation we recommend to use steel-enforced rubber gasket

Test acc. EN 12266-1, rate A



DN	D	K	BL	H	H ₁	A	B	C	Ø	T	Qty screws	⊕	⊕	Weight [kg]
50	165	125	43	376	478	108	277	283	M16	17	4	4	–	8
65	185	145	46	391	507	108	261	266	M16	17	4	4	–	9
80	200	160	46	409	599	108	382	221	M16	17	8	4	4	10
100	220	180	52	493	716	126	454	267	M16	20	8	4	4	13
125	250	210	56	536	824	126	454	254	M16	22	8	4	4	15
150	285	240	56	620	1147	136	796	57	M20	21	8	4	4	25
200	340	295	60	727	1390	160	874	144	M20	23	8	4	4	35